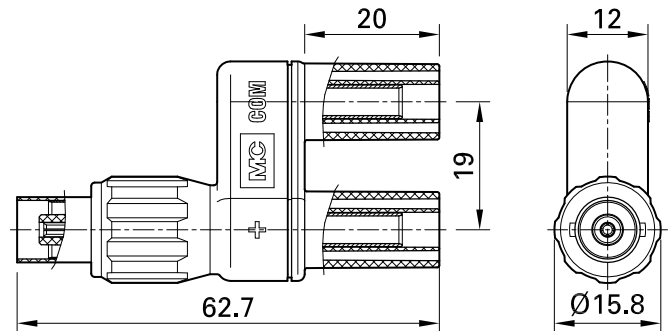
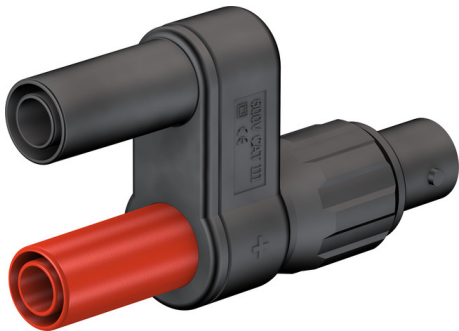


## XF-BB/4



Item number 67.9538-

Two-pole touch-protected adapters with  $\varnothing$  4 mm connectors linked to the BNC system. Version with BNC female connector and rigid  $\varnothing$  4 mm sockets with rigid insulating sleeve. The contact sockets of the inner conductor of the BNC plug connector are in gold-plated brass.

Technical data	
Rated Values	600 V, CAT III / 1000 V, CAT II
Surface treatment electrical contact	Au; Ni
Base material electrical contact	CuZn
Test accessory acc. to	IEC EN 61010-031
Approvals	UL, CE