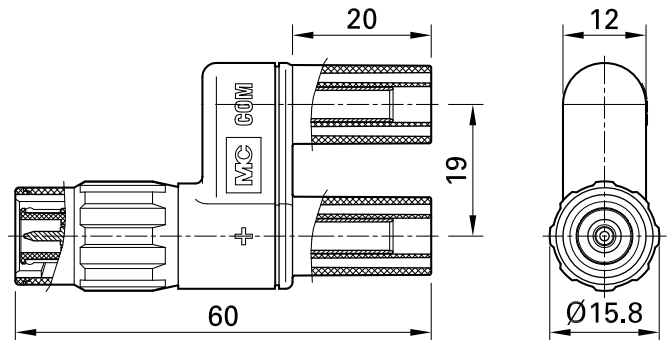
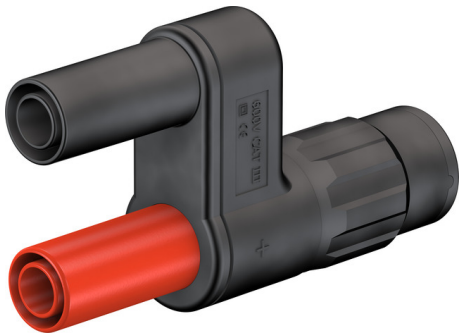


XM-BB/4



Item number 67.9536-

Two-pole touch-protected adapter with \varnothing 4 mm connectors linked to the BNC system. Version with BNC male connector and rigid \varnothing 4 mm sockets with rigid insulating sleeve. The contact pins of the inner conductor of the BNC plug connector are in goldplated brass.

Technical data

Rated Values	600 V, CAT III / 1000 V, CAT II
Surface treatment electrical contact	Au; Ni
Base material electrical contact	CuZn
Test accessory acc. to	IEC EN 61010-031
Approvals	UL, CE