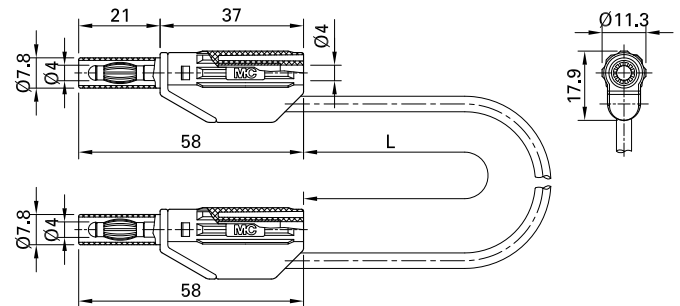


XVS-446

Item number 66.9739-*

Highly flexible test leads with insulation in silicone with stackable
 Ø 4 mm MULTILAM plugs with rigid insulating sleeve on both
 ends.

Technical data	
Diameter of plug system	4 mm
Rated Values	600 V, CAT II, 19 A
Lead cross section	1.0 mm ²
Lead lengths <input type="text"/>	25 ; 50 ; 200
Lead insulation	SIL
Colours *	21 22 23
Test accessory acc. to	IEC EN 61010-031
Approvals	UL, CE
Remarks	Other color and/or length combinations available on request.