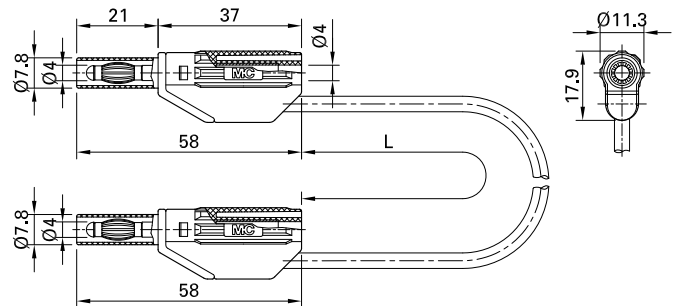


## XVF-446

Item number 66.9738-\*

Highly flexible, with insulation in PVC with stackable Ø 4 mm  
MULTILAM plugs with rigid insulating sleeve on both ends.

Technical data	
Diameter of plug system	4 mm
Rated Values	600 V, CAT II, 19 A
Lead cross section	1.0 mm <sup>2</sup>
Lead lengths <input type="text"/>	25 ; 50 ; 100 ; 200
Lead insulation	PVC
Colours *	<span style="background-color: black; color: white; padding: 2px;">21</span> <span style="background-color: red; color: white; padding: 2px;">22</span> <span style="background-color: blue; color: white; padding: 2px;">23</span>
Test accessory acc. to	IEC EN 61010-031
Approvals	UL, CE
Remarks	Other color and/or length combinations available on request.