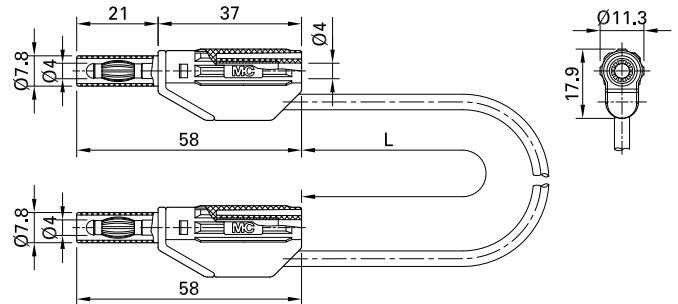


XVF-448

Item number 66.9736- *

Highly flexible, with insulation in PVC with stackable Ø 4 mm
MULTILAM plugs with rigid insulating sleeve on both ends.

Technical data	
Diameter of plug system	4 mm
Rated Values	600 V, CAT II, 32 A
Lead cross section	2.5 mm ²
Lead lengths <input type="text"/>	25 ; 50 ; 100 ; 200
Lead insulation	PVC
Colours *	21 22 23
Test accessory acc. to	IEC EN 61010-031
Approvals	UL, CE
Remarks	Other color and/or length combinations available on request.