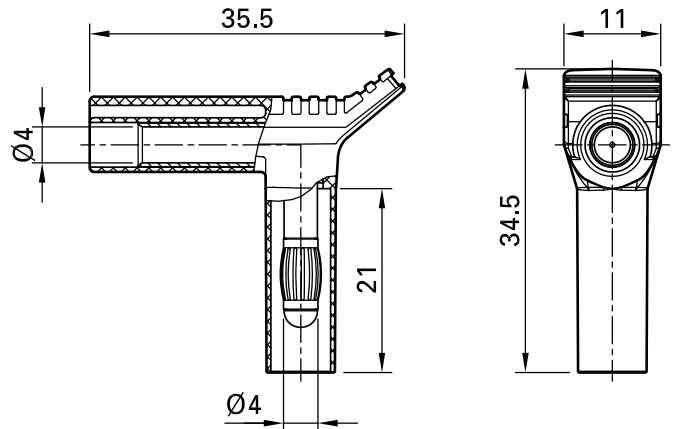


XWA-4/19



Item number 66.9694-*

Insulated, made of brass. Ø 4 mm plug with spring-loaded MULTILAM and with rigid insulating sleeve and Ø 4 mm rigid socket accepting spring-loaded Ø 4 mm plugs with rigid insulating sleeve. This right-angle plug adapter is suitable in particular for instruments with front panel sockets where the lead can be fitted with the maximum of convenience.

Technical data	
Diameter of plug system	4 mm
Rated Values	1000 V, CAT II, 20 A
Surface treatment electrical contact	Ni
Base material electrical contact	CuZn
Colours *	21 22 23
Test accessory acc. to	IEC EN 61010-031
Approvals	CE
Remarks	Other colors available on request.