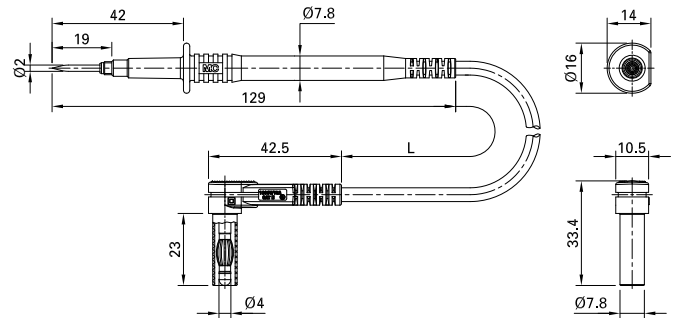


XPF-480/2G

Item number 66.9645-*

Highly flexible. One end with \varnothing 2 mm test probe made of stainless steel with a thread for use with screw-on accessories, offering various contacting possibilities. The other end with in-line or right angled \varnothing 4 mm MULTILAM plug with rigid insulating sleeve. Supplied with protective cap.

Technical data

Diameter of plug system	4 mm
Rated Values	1000 V, CAT II, 15 A
Surface treatment electrical contact	Ni
Base material electrical contact	CuZn
Lead cross section	0.75 mm ²
Lead lengths <input type="text"/>	100 cm; 150 cm
Lead insulation	PVC
Colours *	21 22
Test accessory acc. to	IEC EN 61010-031
Remarks	Screw-on accessories: Hook clip HC200-2G; Test clip XKK-200-2G