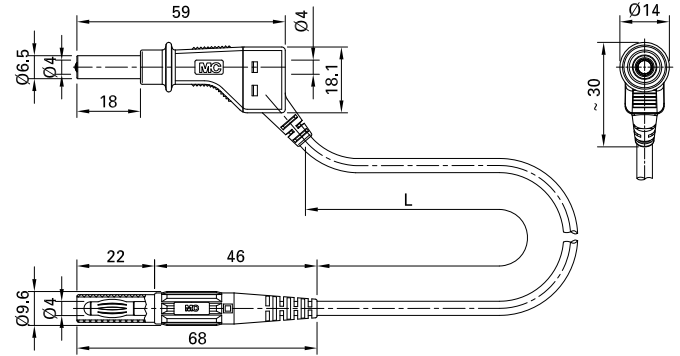


XZG410-L

Item number 66.9411-*

Highly flexible, with insulation in PVC. One end with stackable Ø 4 mm MULTILAM plug with protective collar and retractable sleeve to prevent accidental touching especially suitable for connecting to electrical devices not (yet) equipped with safety sockets. The other end with in-line Ø 4 mm MULTILAM plug with rigid insulating sleeve, e.g. for connecting probes or test clips.

| Technical data | |
|--------------------------------------|---|
| Diameter of plug system | 4 mm |
| Rated Values | 600 V, CAT II, 19 A |
| Surface treatment electrical contact | Ni |
| Lead cross section | 1.0 mm ² |
| Lead lengths <input type="text"/> | 100 cm; 200 cm |
| Lead insulation | PVC |
| Colours * | 21 22 23 |
| Test accessory acc. to | IEC EN 61010-031 |
| Approvals | CE |
| Remarks | Other color and/or length combinations available on request. |