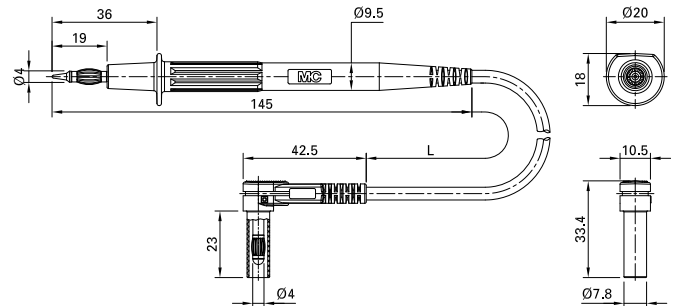


XPF-484

Item number 66.9008- *

Highly flexible, with insulation in PVC. One end with \varnothing 4 mm test probe with spring-loaded MULTILAM, the other end with right angled \varnothing 4 mm MULTILAM plug with rigid insulating sleeve. Supplied with protective cap.

Technical data	
Diameter of plug system	4 mm
Rated Values	1000 V, CAT II, 19 A
Surface treatment electrical contact	Ni
Base material electrical contact	CuZn
Lead cross section	1.0 mm ²
Lead lengths <input type="text"/>	100 cm; 150 cm
Lead insulation	PVC
Colours *	21 22 23
Test accessory acc. to	IEC EN 61010-031
Approvals	UL, CE
Remarks	Pluggable accessories: Dolphin Clip XDK-1033P