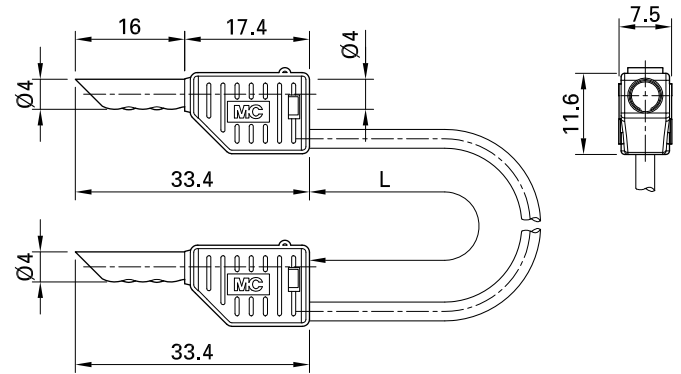
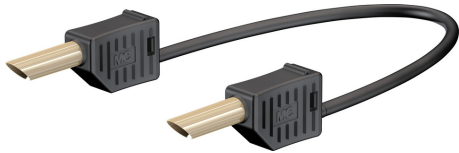


## LK4-B/SIL

Item number 28.0056-\*

Highly flexible, with stackable Ø 4 mm hollow plugs on both ends.  
For many applications of our hollow plugs.

Technical data	
Diameter of plug system	4 mm
Rated Values	30 VAC, 19 A / 60 VDC, 19 A
Surface treatment electrical contact	Au
Lead cross section	1.0 mm <sup>2</sup>
Lead lengths <input type="text"/>	25 cm; 50 cm; 75 cm; 100 cm; 150 cm; 200 cm
Lead insulation	SIL
Colours *	<input type="checkbox"/> 21 <input type="checkbox"/> 22 <input type="checkbox"/> 23 <input type="checkbox"/> 24 <input type="checkbox"/> 25
Test accessory acc. to	IEC EN 61010-031