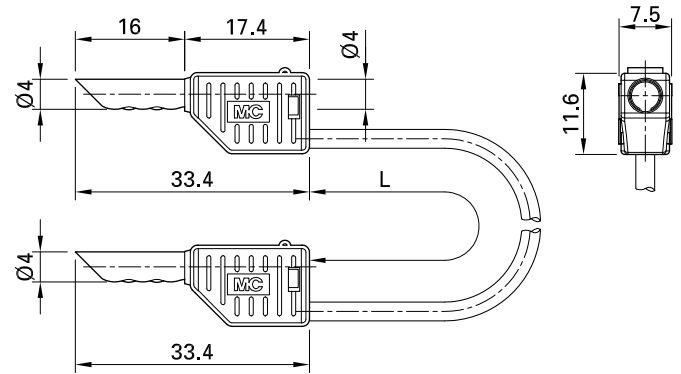
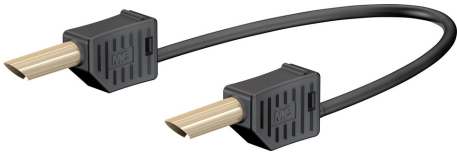


LK4-B

Item number 28.0055-*

Highly flexible, with stackable Ø 4 mm hollow plugs on both ends.
For many applications of our hollow plugs.

| Technical data | |
|--------------------------------------|---|
| Diameter of plug system | 4 mm |
| Rated Values | 30 VAC, 19 A / 60 VDC, 19 A |
| Surface treatment electrical contact | Au |
| Lead cross section | 1.0 mm ² |
| Lead lengths <input type="text"/> | 25 cm; 50 cm; 75 cm; 100 cm; 150 cm; 200 cm |
| Lead insulation | PVC |
| Colours * | <input type="checkbox"/> 21 <input type="checkbox"/> 22 <input type="checkbox"/> 23 <input type="checkbox"/> 24 <input type="checkbox"/> 25 <input type="checkbox"/> 29 |
| Test accessory acc. to | IEC EN 61010-031 |