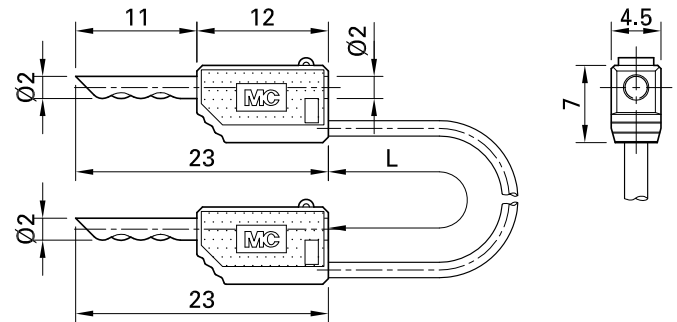


LK2-F

Item number 28.0033-*

Highly flexible with stackable Ø 2 mm hollow plugs on both ends.

Technical data	
Diameter of plug system	2 mm
Rated Values	30 VAC, 10 A / 60 VDC, 10 A
Surface treatment electrical contact	Au
Lead cross section	0.5 mm ²
Lead lengths <input type="text"/>	7,5 cm; 15 cm; 30 cm; 45 cm; 60 cm
Lead insulation	PVC
Colours *	21 22 23 24 25
Test accessory acc. to	IEC EN 61010-031