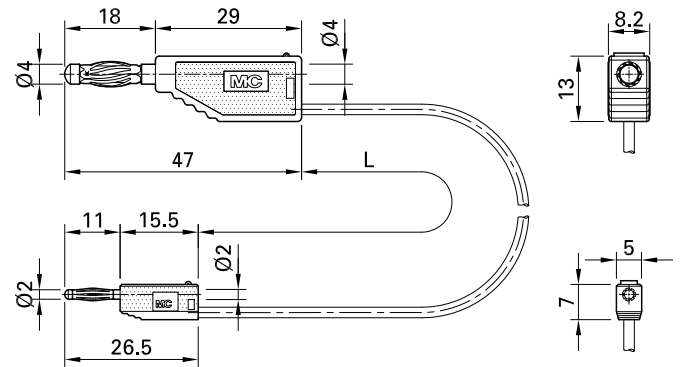


## AK205/410

Item number 28.0011-\*

Highly flexible. One end with Ø 2 mm stackable MULTILAM plug, the other end with Ø 4 mm stackable MULTILAM plug.

Technical data	
Diameter of plug system	2 mm/4 mm
Rated Values	30 VAC, 10 A / 60 VDC, 10 A
Surface treatment electrical contact	Au
Base material electrical contact	CuZn
Lead cross section	0.5 mm <sup>2</sup>
Lead lengths <input type="text"/>	7,5 cm; 15 cm; 30 cm; 45 cm; 60 cm
Lead insulation	PVC
Colours *	<input type="checkbox"/> 20 <input type="checkbox"/> 21 <input type="checkbox"/> 22 <input type="checkbox"/> 23 <input type="checkbox"/> 24 <input type="checkbox"/> 25 <input type="checkbox"/> 26 <input type="checkbox"/> 27 <input type="checkbox"/> 28 <input type="checkbox"/> 29
Test accessory acc. to	IEC EN 61010-031
Material insulating part	Au