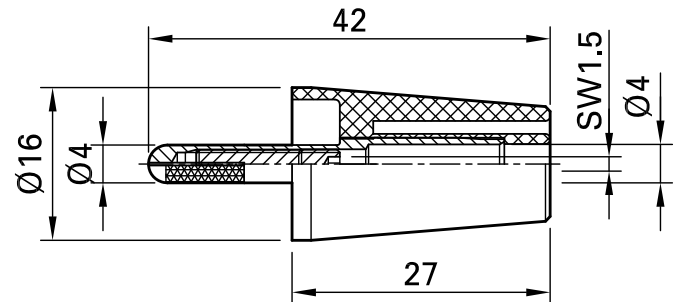
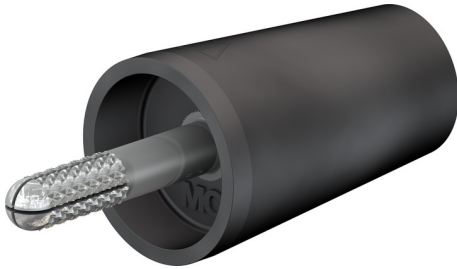


A-SLK4-N



Item number 24.0161-*

Adapter, made of brass can be screw-mounted into $\varnothing 4$ mm sockets. The expandable $\varnothing 4$ mm plug of this adapter can be locked into the socket by tightening the grub screw. Assembled, the adapter offers complete touch-proof protection.

$\varnothing 4$ mm rigid socket in insulator accepting spring-loaded $\varnothing 4$ mm plugs with rigid insulating sleeve.

Technical data	
Diameter of plug system	4 mm
Rated Values	1000 V, CAT II, 32 A
Surface treatment electrical contact	Ni
Base material electrical contact	CuZn
Colours *	20 21 22 23 24 25 26 27 28 29
Test accessory acc. to	IEC EN 61010-031
Material insulating part	PA
Remarks	Accessories: Hexagon wrench STS1,5