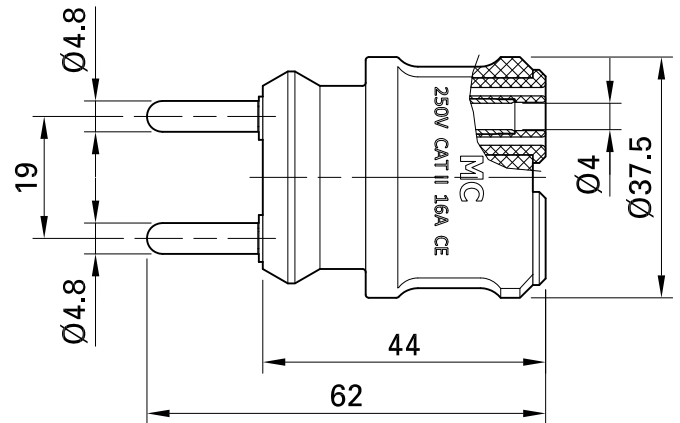


A-NETZ/SLK4



Item number 24.0145-*

For connecting standard power sockets. For connecting phase and neutral conductor, this adapter has two Ø 4 mm rigid sockets at rear, accepting spring-loaded Ø 4 mm plugs with rigid insulating sleeve.

Technical data	
Diameter of plug system	4 mm
Rated Values	250 V, CAT II, 16 A
Colours *	28
Test accessory acc. to	IEC EN 61010-031
Approvals	CE