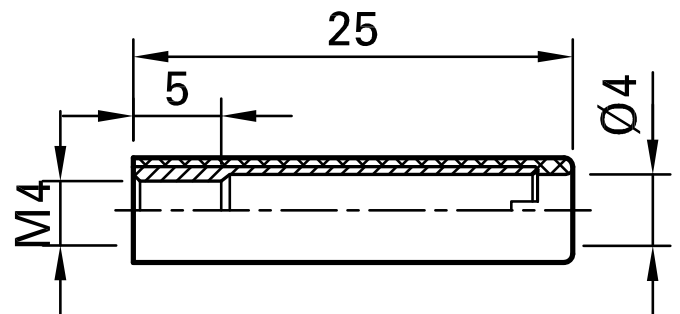


B4-E-IM4-I



Item number 23.1035-*

Insulated, with M4 internal thread for screw connection to threaded bolts. Machined brass. Ø 4 mm rigid socket in insulator accepting spring-loaded Ø 4 mm plugs with rigid insulating sleeve. Socket with slotted head for screwdriver.

Technical data	
Diameter of plug system	4 mm
Rated Values	600 V, CAT II, 32 A
Surface treatment electrical contact	Ni
Base material electrical contact	CuZn
Colours *	21 22 23 24
Thread	M4
Test accessory acc. to	IEC EN 61010-031