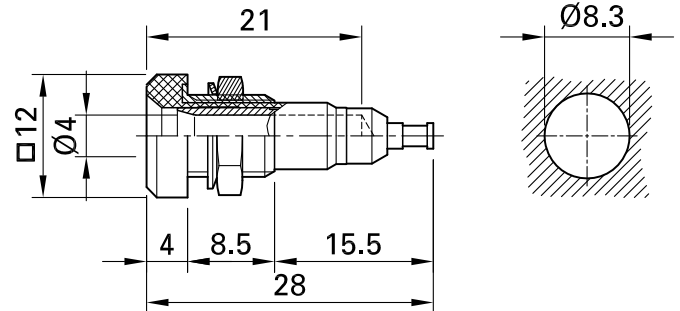
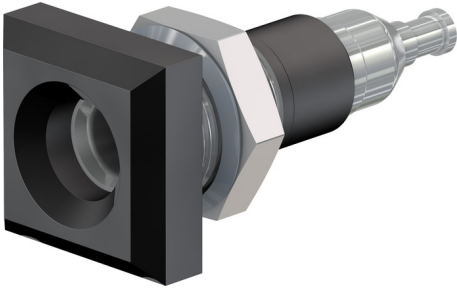


## LB-I4Q



Item number 23.0120-\*

Insulated, Ø 4 mm, rigid. Machined brass. Metal thread jacket on the insulation. The socket can be screw-mounted in predrilled panels. Solder connection.

Technical data	
Diameter of plug system	4 mm
Rated Values	30 VAC, 25 A / 60 VDC, 25 A
Surface treatment electrical contact	Opt
Base material electrical contact	CuZn
Colours *	21 22 23 24 25 26 29
Thread	M8x0,5
Test accessory acc. to	IEC EN 61010-031
Component parts	BI-LB-I4Q; MU/M8x0,5; SP4