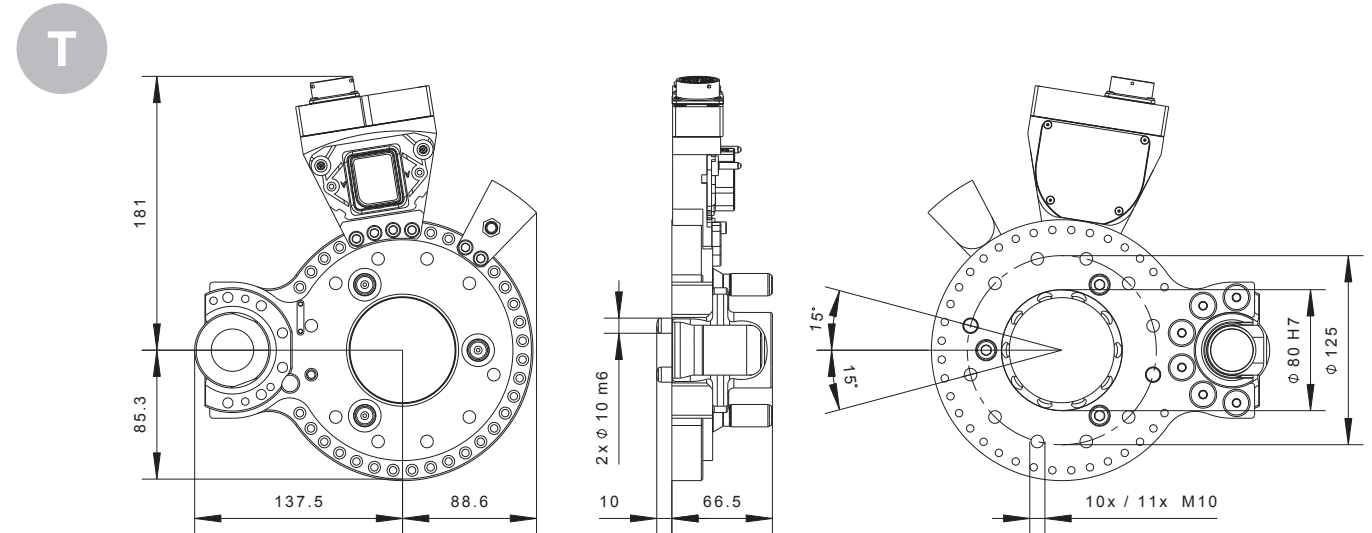
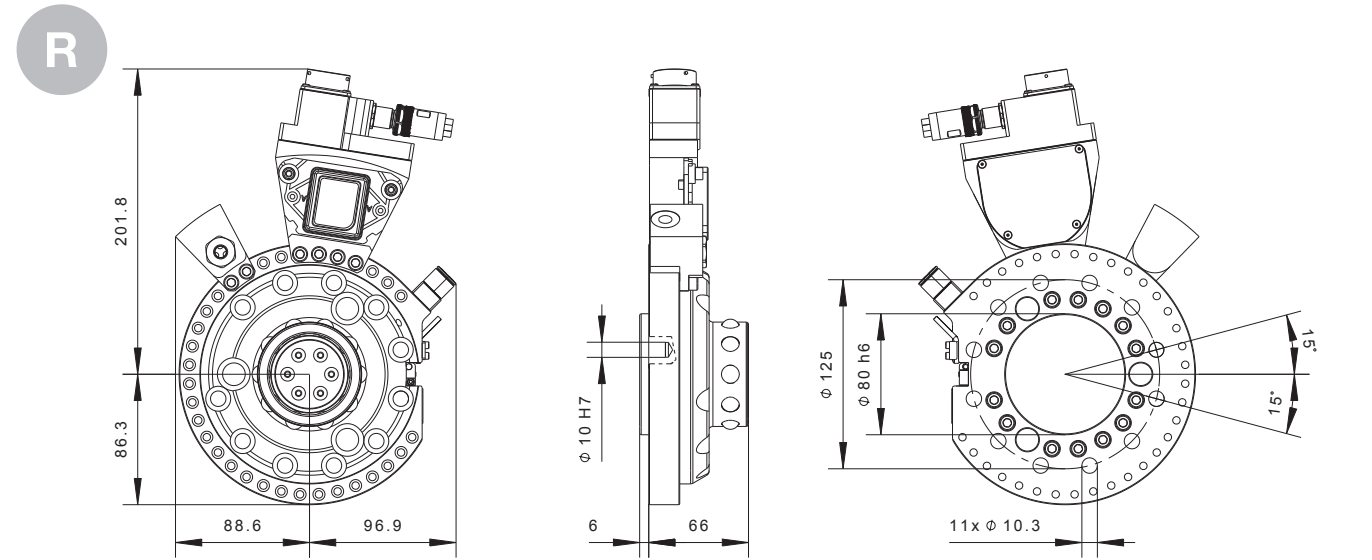


MPS 260 COMPLETE

# MPS 260/2

For handling and gripping applications



Application	Sensors	Connection transfer modules*		Order no.
		Pneumatic	Signal	
Gripping/ Handling/ Vacuum	R PNP	1x G 1/8	KPTC2E18-32P	MPS260RC-0000-0000-0000-0000-00WB-ECAB
	R NPN			MPS260RG-0000-0000-0000-0000-00WB-ECAB
	T -		KPTC2E18-32S	MPS260TA-0000-0000-0000-0000-00WB-ECAB

Technical data for the base unit on the robot and tool sides can be found on page 68.  
\* Technical data for all transfer modules can be found from page 84 onwards.



Transfer modules with alternative thread and plug connections can be customized using our simple configuration system (see page 66).