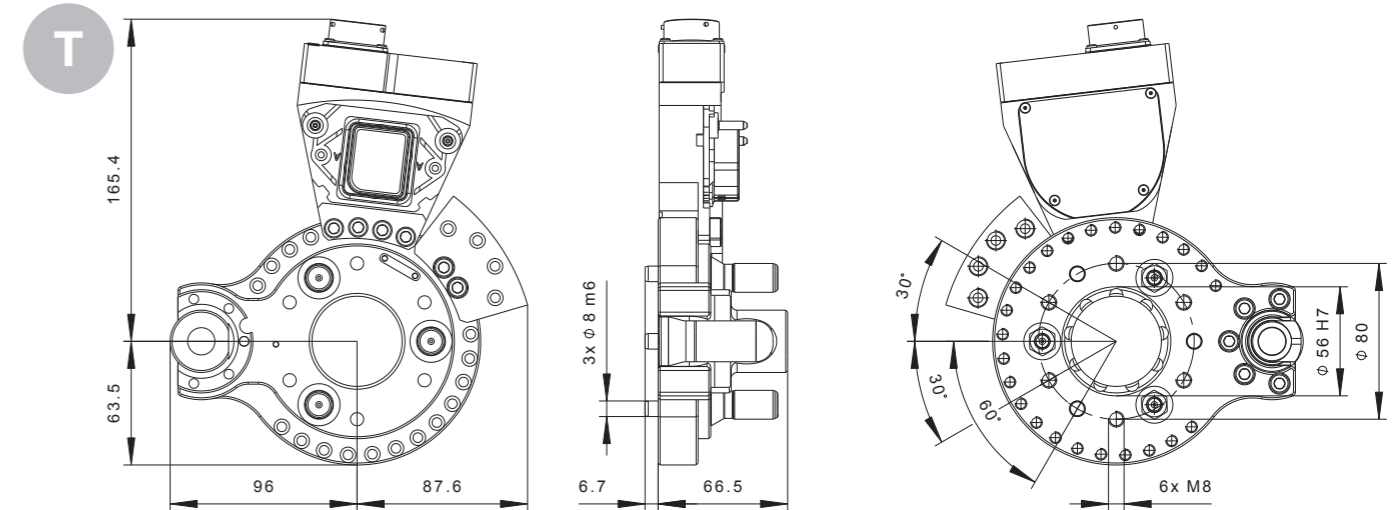
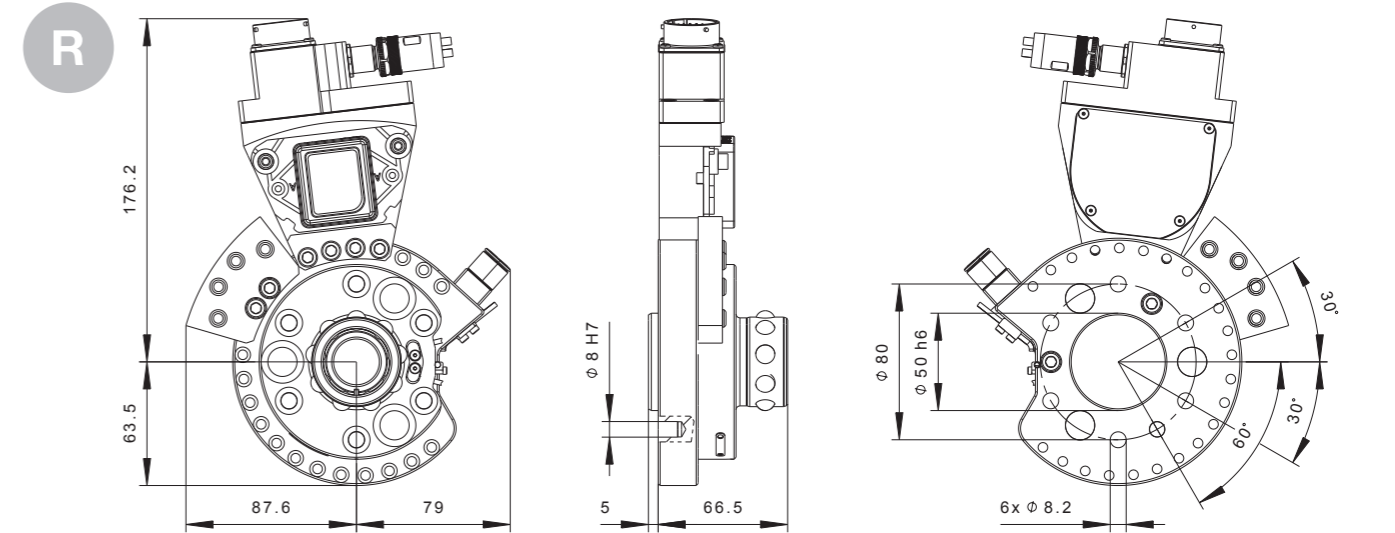
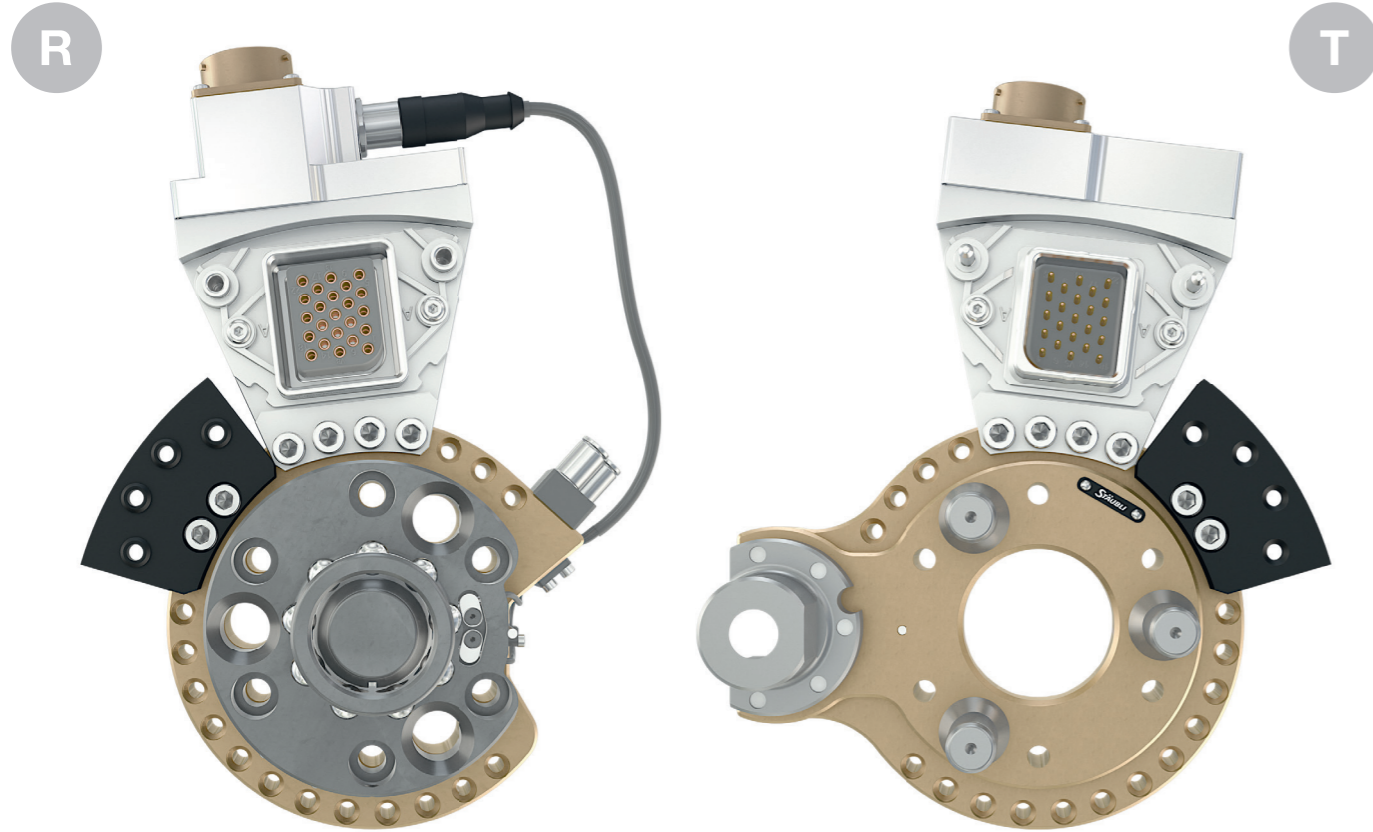


MPS 080 COMPLETE

# MPS 080/2

For handling, gripping and vacuum applications



Application	Sensors		Connection transfer modules*		Order no.
			Pneumatic	Signal	
Gripping/ handling/ vacuum	R	PNP	5x G 1/8	KPTC2E18-32P	MPS080RC-0000-0000-0000-00WC-ECAB
	R	NPN		KPTC2E18-32S	MPS080RG-0000-0000-0000-00WC-ECAB
	T	-			MPS080TA-0000-0000-0000-00WC-ECAB

Technical data for the base unit on the robot and tool sides can be found on page 28.  
\* Technical data for all transfer modules can be found from page 84 onwards.



Transfer modules with alternative thread and plug connections can be customized using our simple configuration system (see page 26).