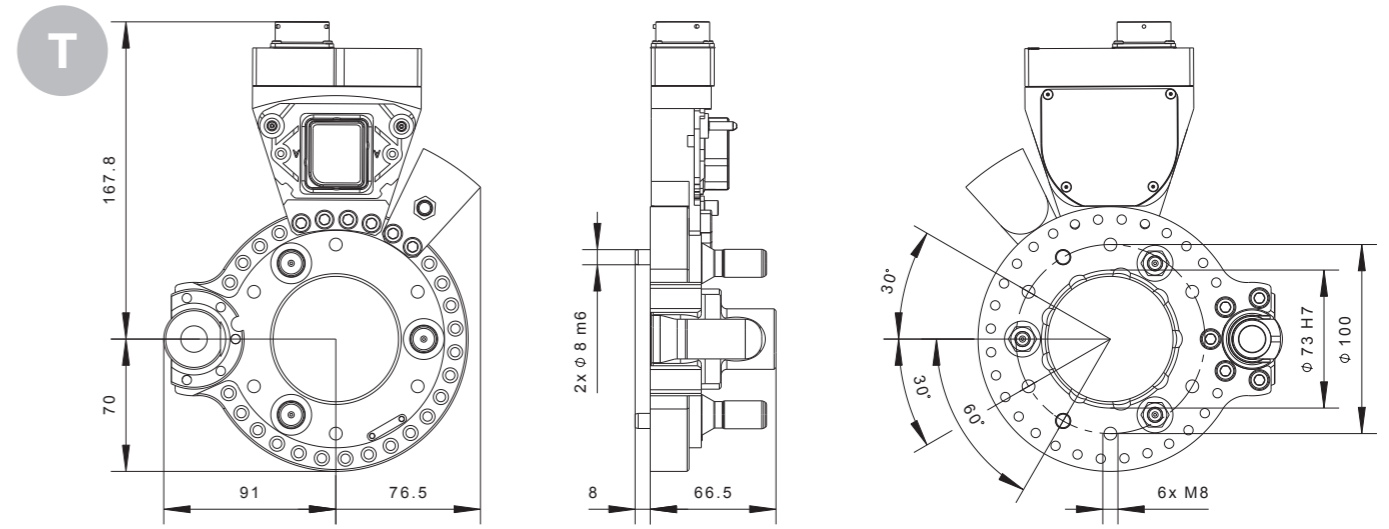
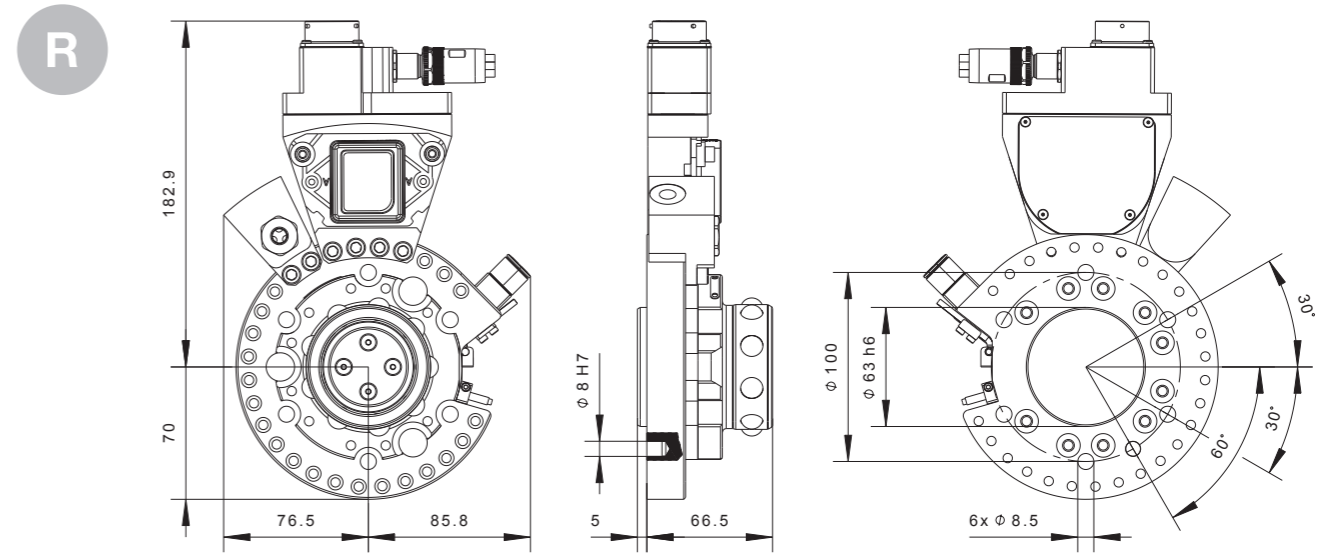
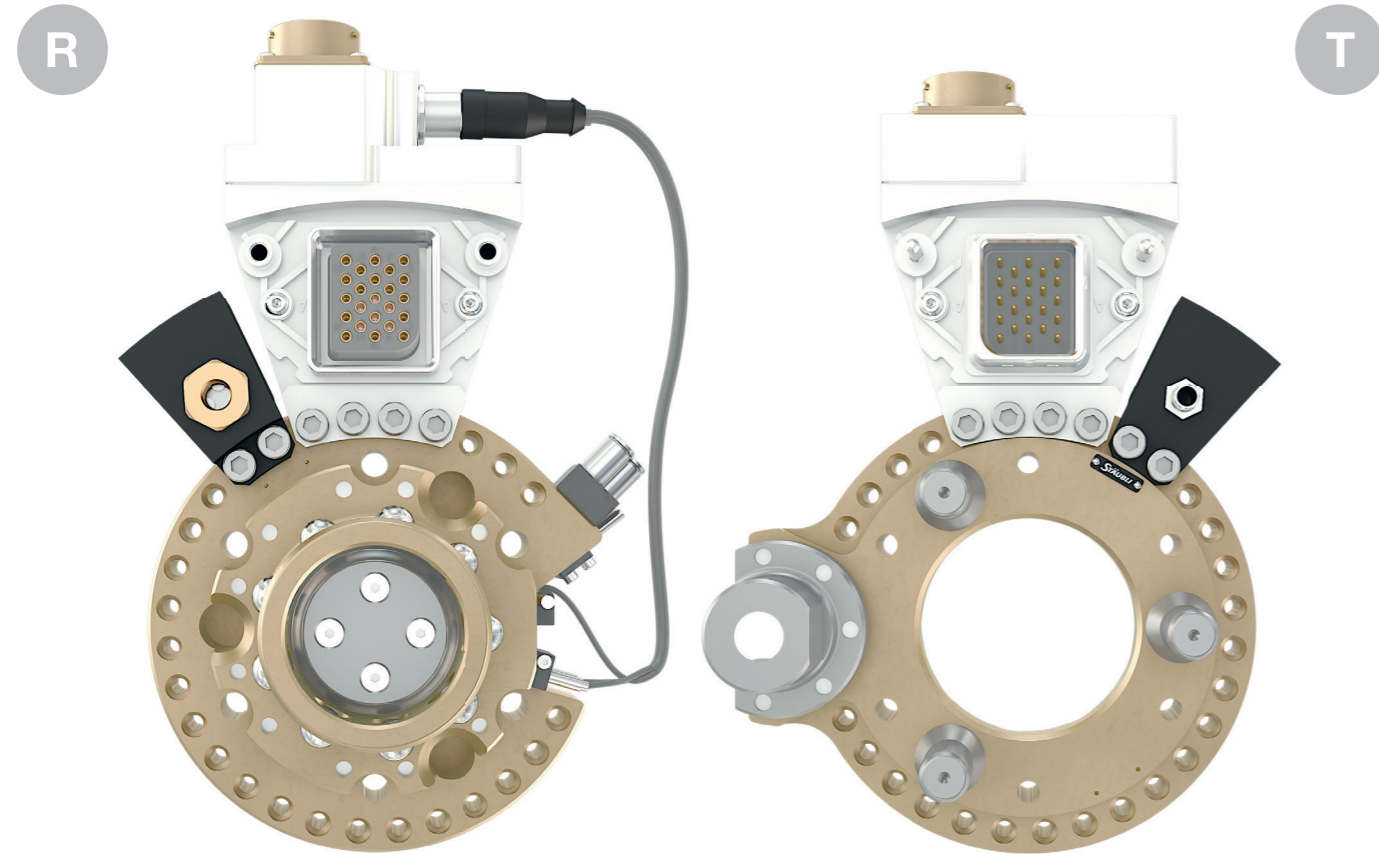


MPS 130 COMPLETE


MPS 130/1

For handling and gripping applications



Application	Sensors		Connection transfer modules*		Order no.
			Pneumatic	Signal	
Gripping/ handling	R	PNP	1x G 1/8	KPTC2E18-32P	MPS130RC-0000-0000-0000-0000-00WB-ECAB
	R	NPN			MPS130RG-0000-0000-0000-0000-00WB-ECAB
	T	-		KPTC2E18-32S	MPS130TA-0000-0000-0000-0000-00WB-ECAB

Technical data for the base unit on the robot and tool sides can be found on page 42.
* Technical data for all transfer modules can be found from page 84 onwards.

 Transfer modules with alternative thread and plug connections can be customized using our simple configuration system (see page 40).