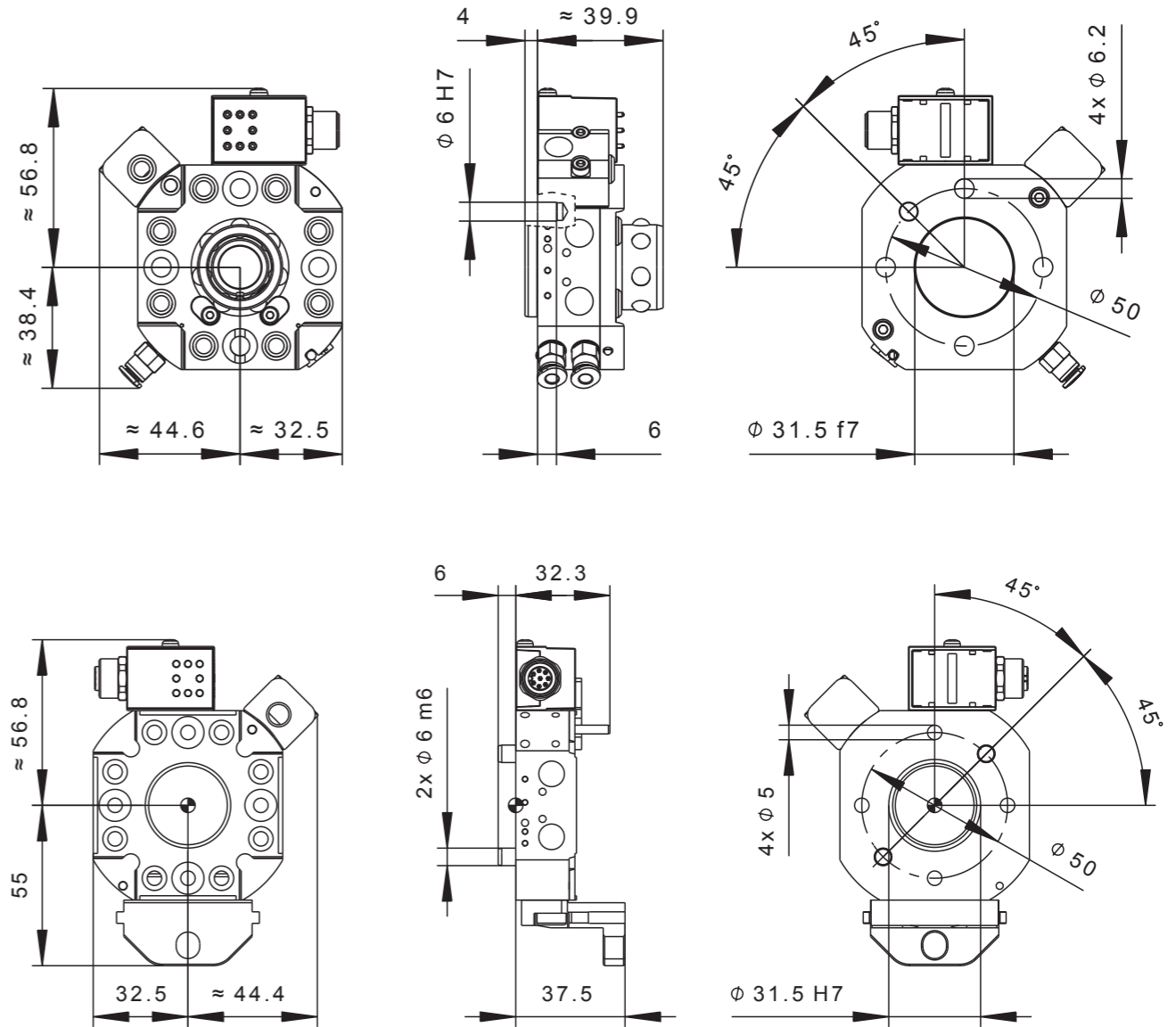
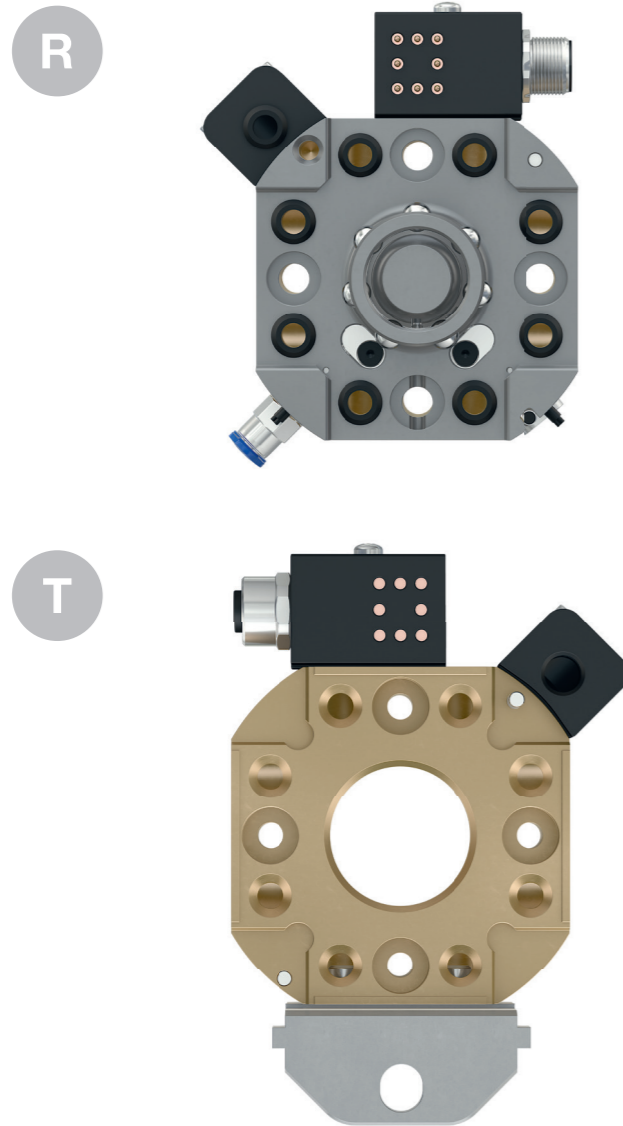


MPS035 COMPLETE

MPS 035/1

For handling and gripping applications



	Order no.	Unlock/ lock port	Pneumatic pass-through		Data and signal transfer		Sensors/ connection
			Quantity	Size	Connection	Pole	
R	MPS035RO-0000-PG-6A8C-00-0000-D2S0	2x Push-lock hose- ϕ 4 mm	5	G 1/8	M12	8	-
	MPS035RC-0000-PG-6A8C-00-0000-D2S0						3x PNP/ 3x M8
	MPS035RG-0000-PG-6A8C-00-0000-D2S0						3x NPN/ 3x M8
T	MPS035TO-0000-PG-6A8C-00-0000-D2S0	-	5	G 1/8	M12	8	-

Technical data for the base unit on the robot and tool sides can be found on page 28.
 Technical data for all transfer modules can be found from page 34 onwards.
 Transmission modules with other threaded and plug-in connections can be individually adapted at any time via our simple configuration system
 (see page 26) to suit your individual requirements.