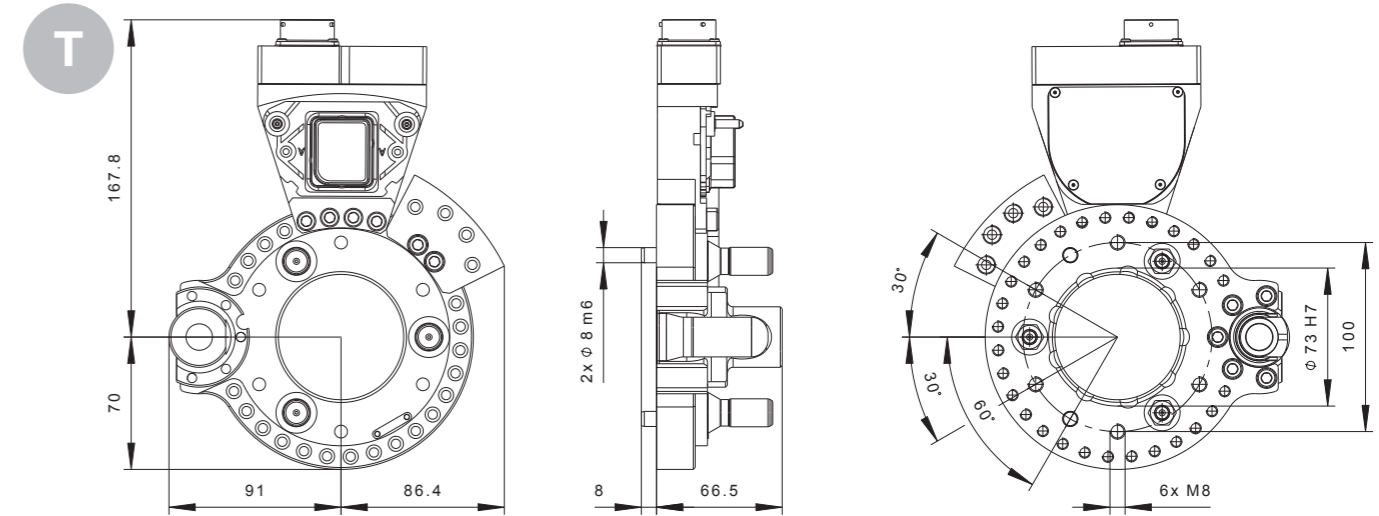
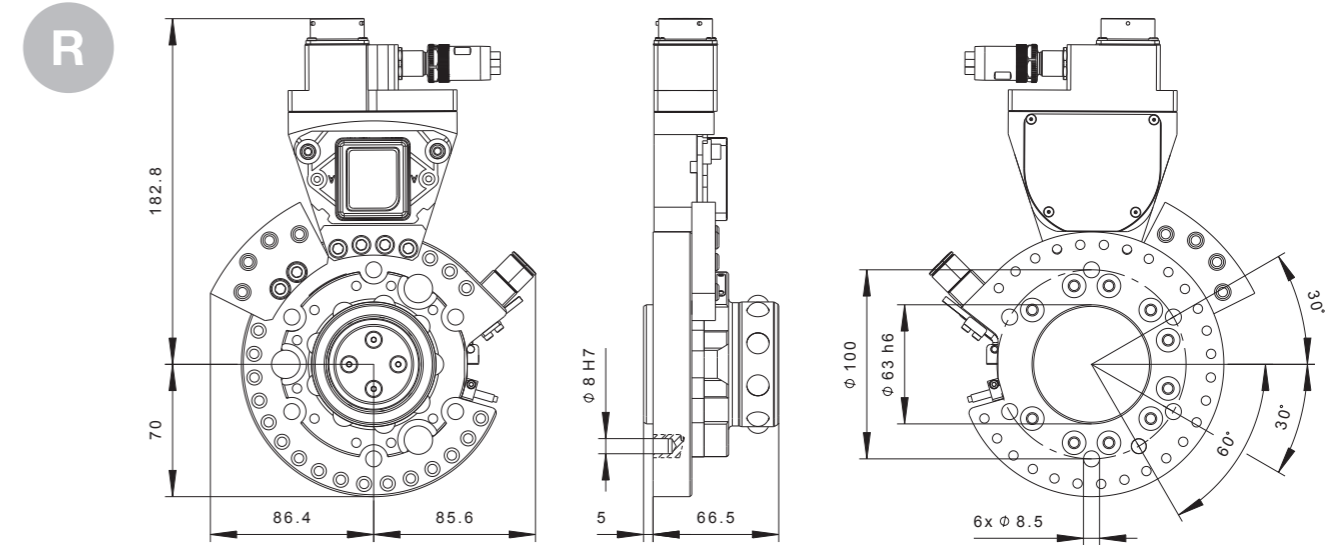
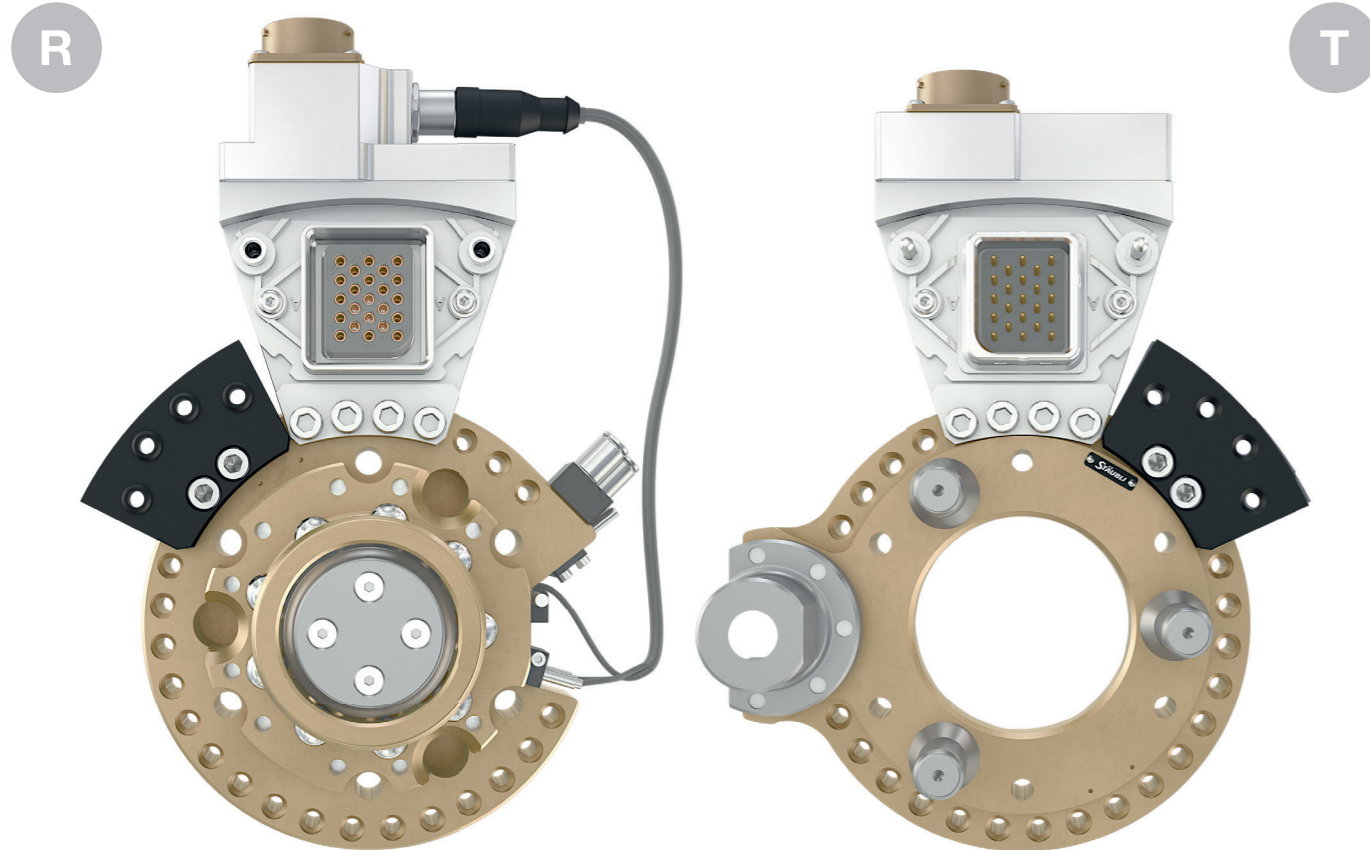


MPS 130 COMPLETE

# MPS 130/2

For handling, gripping and vacuum applications



| Application                      | Sensors |     | Connection transfer modules* |              | Order no.                              |
|----------------------------------|---------|-----|------------------------------|--------------|--|
|                                  |         |     | Pneumatic                    | Signal       |  |
| Gripping/<br>handling/<br>vacuum | R       | PNP | 4x G 1/8                     | KPTC2E18-32P | MPS130RC-0000-0000-0000-0000-P4WP-ECAB |
|                                  | R       | NPN |                              | KPTC2E18-32S | MPS130RG-0000-0000-0000-0000-P4WP-ECAB |
|                                  | T       | -   |                              |              | MPS130TA-0000-0000-0000-0000-P4WP-ECAB |

Technical data for the base unit on the robot and tool sides can be found on page 42.  
\* Technical data for all transfer modules can be found from page 84 onwards.



Transfer modules with alternative thread and plug connections can be customized using our simple configuration system (see page 40).